

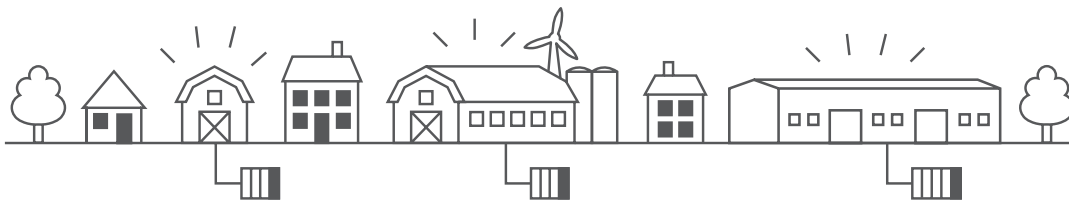


## BATTERY-BOX COMMERCIAL

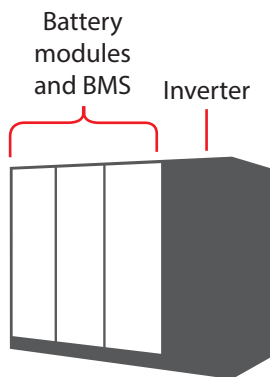


### The battery for commercial and industrial applications

- Renewable Self Consumption
- Time-of-Use
- Peak Shaving
- Backup Power
- EV Charging Optimization
- Frequency Regulation



### Battery-Box Commercial

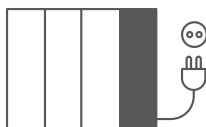


- 3 Size Options: 61 kWh, 131 kWh and 233 kWh
- Compact, Easy to Install

The Battery-Box Commercial is the storage system that provides Commercial and Industrial (C&I) consumers with all performance they're looking for while also being easy to use and safe. For the first time it brings to the C&I field the strengths of the Battery-Box: plug and play design, safe battery chemistry, and top technical performance.

The Battery-Box Commercial is designed to be the core of your energy system. Not only pairing it with renewable resources to maximize self-consumption, but also to optimize EV charging, manage consumption peaks, or even provide grid services such as frequency regulation.

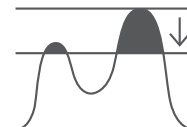
### Flexible. Efficient. Simple



Easy plug-and-play installation

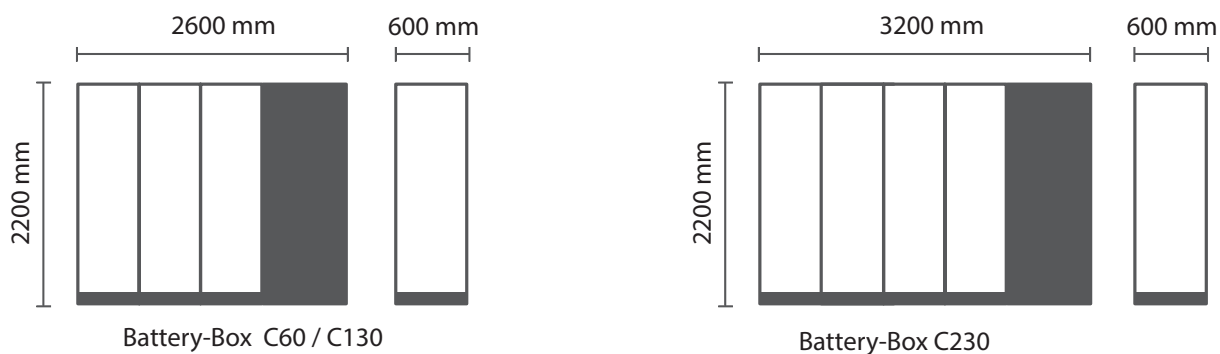


10 years capacity warranty



Intelligent energy management

## Dimensions



## Technical parameters



	Battery-Box C60	Battery-Box C130	Battery-Box C230
Usable Energy	61 kWh	131 kWh	233 kWh
Max Output Current	75A	150A	250A
Nominal Voltage	819.2V	729.6V	777.6V
Operating Voltage Range	716.8 ~ 921.6 V	638.4 ~ 820.8 V	680.4 ~ 874.8 V
Operating temperature	-10 °C to +50°C		
Communication	RS485 / CAN		
Dimensions (W/H/D)	2200 x 2600 x 600 mm	2200 x 2600 x 600 mm	2200 x 3200 x 600 mm
Cells	Lithium Iron Phosphate		
Enclosure Protection Rating	IP20		
Battery Module Certification	UN38.3		
System Certification	CE, IEC62619		
Compatible Inverters	REFUstore 88K		
Application	Peak Shaving/ Self Consumption/ Standard EV Charging/ Intelligent EV Charging (Optional)/ Frequency Regulation (Optional) / Backup		
Warranty	5-Year Product Warranty, 10-Year Performance Warranty		